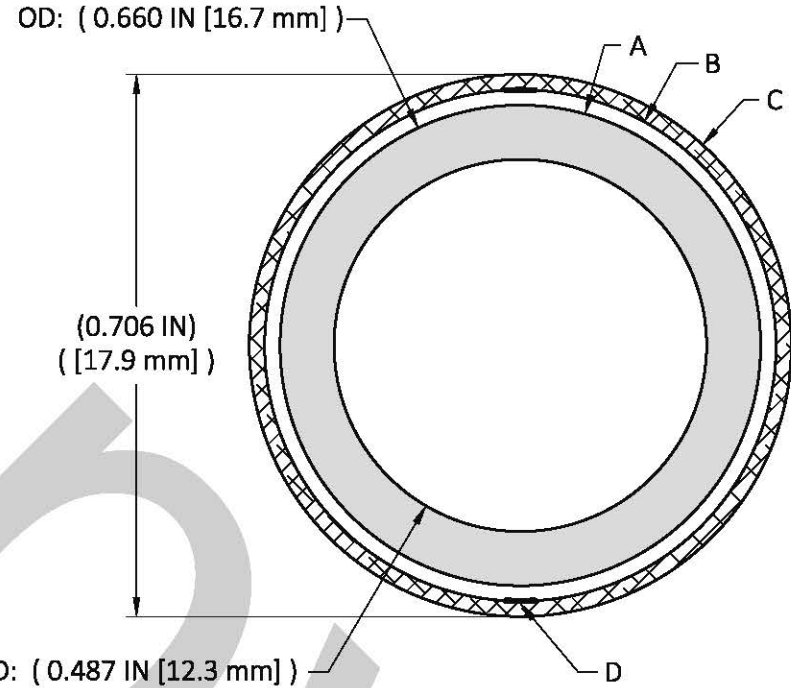
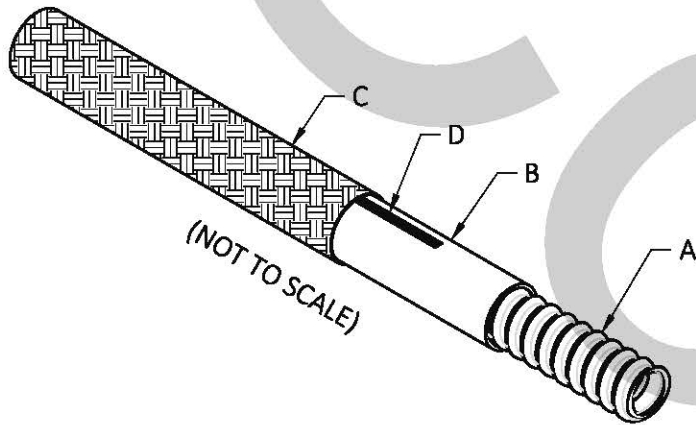


Rastex® is a registered trademark of W. L. Gore and Associates, Inc.

REVISIONS			
Rev	Description	Date	Chg'd By
01	Initial Release EM2 SPEC - 13254 J.Moore	14 SEP 2017	TKG
02	EM2 ECO - 9232 T.Mayer	06 SEP 2019	DED
A	Production Release EM2 ECO - 9406 I.Black	21 NOV 2019	DED
B	EM2 ECO - 9700 I.Black	21 MAY 2020	DED

**CONSTRUCTION:**

- A. FLEXIBLE TUBING, EXTRUDED BLACK PTFE (PER AS81914)
- B. BUFFER, ePTFE
- C. BRAID, BLACK / VIOLET RASTEX®
- D. ANTI-STRETCH MEMBER, VIOLET (2 PLACES)



**SPECIFICATIONS:**

- 1. MINIMUM BEND RADIUS: 0.750 IN [19.1 mm]
- 2. TEMPERATURE RANGE: -65° C TO +260° C
- 3. WEIGHT: (110) LB / 1000 FT  
(164) kg / km
- 4. MINIMUM LENGTH: 50 FT

Valid only at time of printing

<p>PARENTHESES DENOTE REFERENCE DIMENSIONS</p>				<p>W. L. GORE &amp; ASSOCIATES, INC. (Gore) Performance Solutions Division 101 Lewisville Road, Elkton, MD 21921 410 / 392-3300 © 2017, 2020 W. L. Gore &amp; Associates, Inc.</p>	
<p>DIMENSIONS ARE IN INCHES</p>	<p>UNLESS OTHERWISE SPECIFIED</p>	<p>By acceptance of this document you agree that all rights to drawings, specifications, processes and other data contained therein, as well as the proprietary and novel features of the subject matter, are reserved by Gore and are disclosed in confidence. They are not to be manufactured, used, sold or disclosed to others, nor are devices embodying such features or information derived from these disclosures to be used or disclosed, unless and until expressly authorized by Gore. These drawings, specifications, processes, etc., are and remain the property of Gore and are not to be copied or reproduced without express permission, and are to be returned upon request therefor.</p>			
<p>DO NOT SCALE DRAWING</p>	<p>.X ± N/A</p>	<p>Title <b>GORE™ 18mm CABLE PROTECTION SYSTEM</b></p>			
<p>DEBURR SHARP EDGES</p>	<p>.XX ± N/A</p>	<p>Dwg Size <b>A</b></p>	<p>Sheet <b>1 of 1</b></p>	<p>Scale <b>4:1</b></p>	<p>Associated Documents <b>N/A</b></p>
<p>Third Angle Projection</p>	<p>FRACTIONS ± N/A</p>	<p>Rev Date <b>21 MAY 2020</b></p>	<p>Drawing Number <b>FON1599</b></p>	<p>Drawn <b>TKG</b></p>	<p>09 AUG 2017</p>
<p>INTERPRET DRAWING IN ACCORDANCE WITH ASME Y14.5M-1994 (R1999)</p>	<p>ANGLES ± N/A</p>	<p>Rev Level <b>B</b></p>		<p>SURFACE TEXTURE N/A</p>	
	<p>BREAKS AND FILLETS N/A MAX</p>				