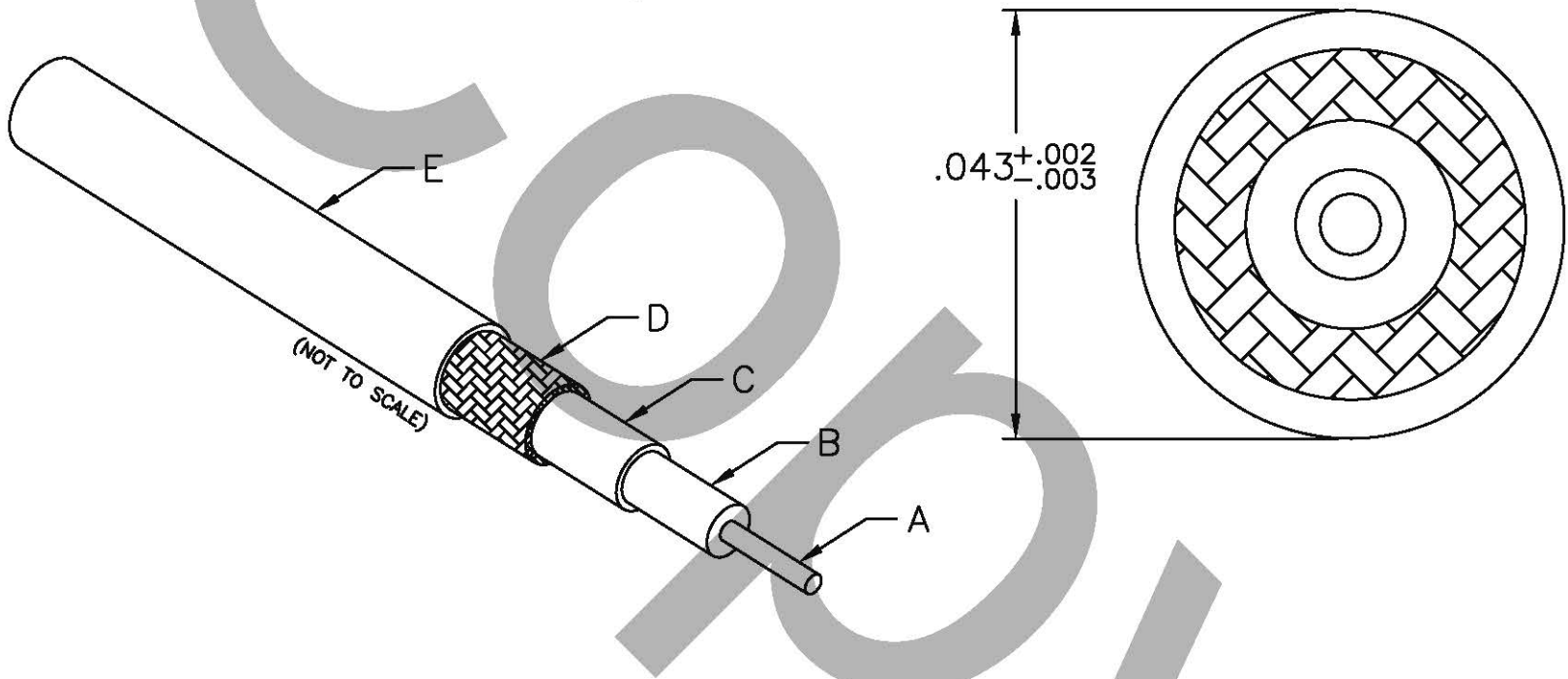


REVISIONS

REV	DESCRIPTION	DATE	CHG'D BY
A	REDRAWN: Removed Min Length Requirement	27 JAN 2012	-

CONSTRUCTION:

- A. FIBER: SPECTRAN TCU-MD062H (155 MICRONS)
- B. BUFFER: ePTFE
- C. INNER JACKET: FLUOROPOLYMER (J800) BLUE  
0.005 +0.001/-0.002 WALL  
DIAMETER: 0.021 +0.002/-0.005
- D. STRENGTH MEMBER: KEVLAR™
- E. OUTER JACKET: FLUOROPOLYMER (J800) BLUE



Valid only at time of printing

KEVLAR™ IS A REGISTERED TRADEMARK OF DUPONT

PARENTHESES DENOTE REFERENCE DIMENSIONS	
DIMENSIONS ARE IN INCHES	UNLESS OTHERWISE SPECIFIED
DO NOT SCALE DRAWING	.X ± n/a
DEBURR SHARP EDGES	.XX ± n/a
	.XXX ± n/a
Third Angle Projection	.XXXX ± n/a
	FRACTIONS ± n/a
	ANGLES ± n/a
	SURFACE TEXTURE n/a ✓
INTERPRET DRAWING IN ACCORDANCE WITH ASME Y14.5M-1994 (R1999)	BREAKS AND FILLETS n/a MAX



W. L. GORE & ASSOCIATES, INC. (Gore)  
Electronic Products Division  
LANDENBERG, PENNSYLVANIA 19350 610/268-1000  
© 2012 W. L. Gore & Associates, Inc.

By acceptance of this document you agree that all rights to drawings, specifications, processes and other data contained therein, as well as the proprietary and novel features of the subject matter, are reserved by Gore and are disclosed in confidence. They are not to be manufactured, used, sold or disclosed to others, nor are devices embodying such features or information derived from these disclosures to be used or disclosed, unless and until expressly authorized by Gore. These drawings, specifications, processes, etc., are and remain the property of Gore and are not to be copied or reproduced without express permission, and are to be returned upon request therefor.

Title				1.3mm SIMPLEX - MULTI MODE			
Dwg Size	Sheet	Scale	Associated Documents	Drawn By	Rev Date	Rev Level	
A	1 of 1	50:1	PMWPS - 0937	ECL	27 JAN 2012	A	
Drawing Number			FON 1003				